

1

2

3

4

5

6

A

A

B

B

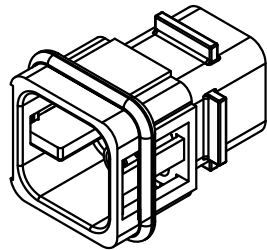
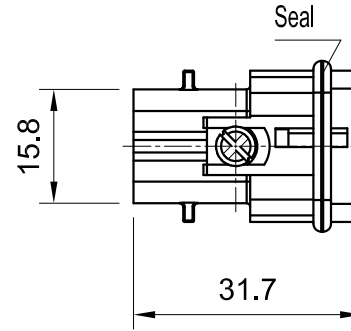
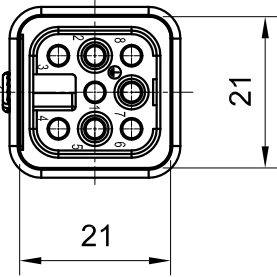
C



C

D

D

Countersunk screw M3x6-4.8



 InKonn (Suzhou) Electric Technology Co.,Ltd.	 All Dimensions in mm Original Size DIN A4	Date 2019-05-14	Drawing No. TC8318712	Rev. A00	Scale 1:1
	Type Name ID-007-CM/FPM	Part No. 10 31 007 2101	Created by Shuxu Huang	Checked by Yiyi Luo	Page 1/1

1

2

3

4

5

6